



## BOWNT BOG RM 转鼓格栅机

BOG RM 转鼓格栅机是一种在传统旋转格栅技术上革新部分原理的机械过滤方法。它适用于把液体中存在的较大悬浮物质（如纺织印染、农业养殖、沼液垃圾、纸浆纤维等）最大限度地分离出来，实现固、液分离的目的。BOG-RM 转鼓格栅机与其它过滤方法的区别在于过滤介质空隙小，借助筛网回转的离心力，在较低的水力阻力下，高效率分离截留住悬浮杂质。

这种新型的水处理设备，主要去除废水中的纤维状物质，设备全密封高效循环重复使用，节约污水处理成本。设备广泛适用于需进行固液分离的各种场合，如渗滤液、造纸、纺织印染、化工污水、城市生活污水、农业养殖等。尤其适用于纺织印染、造纸白水的处理。



## BOWNT BOG RM Rotary Drum Grille

BOG RM Rotary drum grille is a new kind of mechanical filter, which is widely used to separate micron rating suspended substances from liquid, for example sewage treatment of textile, printing and dyeing, agricultural breeding, biogas slurry, pulp fibre separation and etc. BOG-RM Rotary drum grille with very small gap of filter medium, which can intercept suspended solids with the help of grille centrifugal force to keep a high flow velocity under low hydraulic resistance.

As one of new water treatment equipments, Rotary drum grille is mainly used to remove fibers from waste water, such as sewage treatment in municipal, leachate, papermaking, textile, printing and dyeing, chemical industries and agricultural breeding etc. It has an excellent performance in sewage treatment of textile, printing and dyeing, and papermaking plant of white water filtration, close cycle of water reuse achieves great saving of cost in sewage treatment.

### 工作原理:

污水从进口进入布水器，经短暂稳流后，由出水口均匀溢出，分布在反方向旋转的滤筒滤网上，水流与滤筒内壁产生相对剪切运动，过水效率高，固体形态物质被截流分离并顺着筒壁内螺旋导向板翻滚向前输送，由滤筒前端排污口排出。从滤网滤出的废水在滤筒两侧的防护罩导流作用下从正下方倒流水槽中流走。设备滤筒外配有高效冲洗水管(3bar)，冲洗水呈扇形喷射清洗滤网，确保滤网始终保持高效过滤。

### Working principle:

Raw water fills into the inner distributor through the inlet, and distributed to the inner grille screen surface after steady. Clean water pass through the grille screen vertically for efficient filtration. While solids are intercepted by the screen and delivered by the inner rotary guide plates to the drainage valve. Rotary drum grille has a flushing nozzle outside the grille cylinder, clean water through the fan-shaped nozzle begins backwashing the grille cylinder under the water pressure of 0.3MPa. Dirty water after backwashing concentrates to the bottom collecting tank, and discharged.

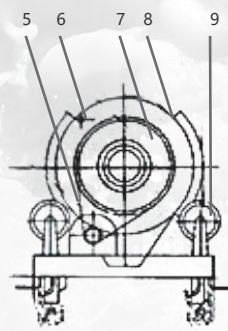
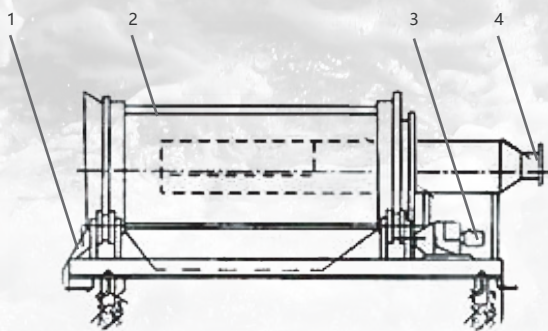
### 设备特点:

- 设备结构简单高效, 运行平稳, 维修方便, 使用寿命长。
- 设备占地面积小、运行费用低、安装方便、节水节电。
- 设备过滤能力优异, 固液分离效率高, 一般废水纤维回收率大于80%。
- 设备运行转速低并自动保护, 全自动控制系统无需专人看管, 回收纤维浓度最高可达12%以上。
- 设备水头损失小, 节能高效。
- 设备整体为全不锈钢材质, 强度及耐腐蚀性极强。

### Equipment characters:

- Simple structure, smooth operation, easy maintenance and long service life.
- Space saving and low operation cost, low water consumption and easy installation.
- High capacity and efficient separation, general fiber removal rate is over 80%.
- Automatic control of operation, with no need of a special person to care about, the concentrate fiber is more than 12%.
- Small head loss and energy saving.
- High corrosion resistance and strong strength of stainless steel structure.

	RM-2.5	RM-5	RM-7	RM-9	RM-11	RM-14	RM-18
过滤面积 inch <sup>2</sup> (cm <sup>2</sup> ) Filtration area	3875 (25000)	7750 (50000)	10850 (70000)	13950 (90000)	17050 (110000)	21700 (140000)	27900 (180000)
过滤网精度 (μm) Micron rating	50-500						
最大流量 gpm (m <sup>3</sup> /h) Max. Flow	110 (25)	440 (100)	660 (150)	880 (200)	1056 (240)	1320 (300)	1672 (380)
滤筒转速 (r/min) Grille cylinder speed	4-6						
冲洗水压力 psi (Mpa) Backwashing water pressure	43.5 (0.3)						
电机功率 hp (KW) Motor power	1.0 (0.75)	1.5 (1.1)	2.0 (1.5)	2.0 (1.5)	3.0 (2.2)	3.0 (2.2)	3.0 (2.2)
滤筒直径 inch (mm) Grille cylinder diameter	25" (φ630)	40" (φ1000)	50" (φ1250)	50" (φ1250)	50" (φ1250)	60" (φ1500)	60" (φ1500)
滤筒长度 inch (mm) Length of grille cylinder	56" (1400)	60" (1500)	80" (2000)	100" (2500)	120" (3000)	120" (3000)	160" (4000)
SS去除率 (%) SS removal rate	70-85						



- |        |                  |
|--------|------------------|
| 1、出渣导槽 | Slag Chute       |
| 2、过滤部分 | Grille Cylinder  |
| 3、驱动装置 | Driving Device   |
| 4、进水管口 | Inlet            |
| 5、链条   | Chain            |
| 6、清洗   | Backwashing      |
| 7、链轮   | Chain Wheel      |
| 8、防护罩  | Protective Cover |
| 9、导轮   | Guide Wheel      |